

PLUMB PERFECT

ADJUSTABLE MOUNT SYSTEMS

The Fast, Easy Way
To Vertically Align
Post Mounts!

Now... A Better Way To Plumb Any Railing Post Utilizing A Patented Design That Can Quickly & Accurately Position Your Post Mounts!

FEATURES :

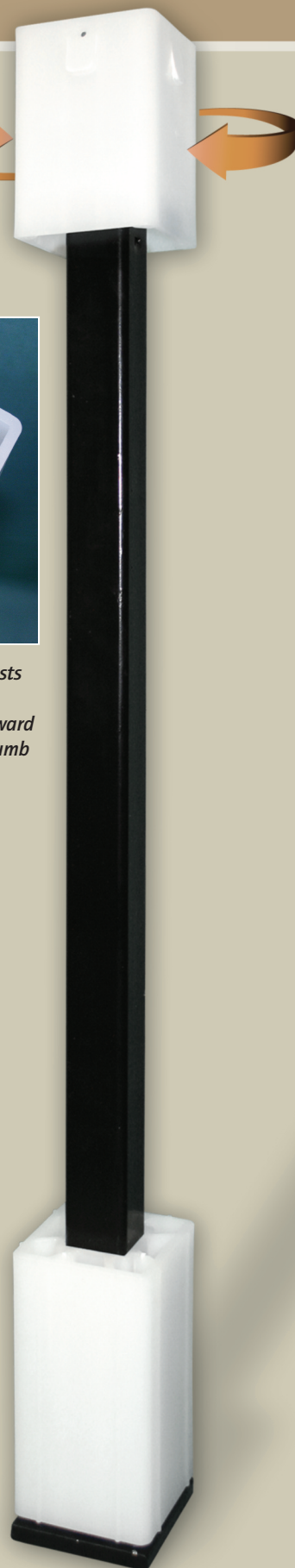
- ◆ **Tested** - Independently tested to meet ICC-ES AC174 structural performance requirements of the national building codes.
- ◆ **Easy** - Only top block plumbed mount available that can EVEN be adjusted after the railing is installed.
- ◆ **Functional** - Designed to be used with almost any railing system and mounted on any type of decking surface.
- ◆ **Strong** - Our thicker base plate is double welded for greater stability and strength.
- ◆ **Protection** - "*Shore Coat Rust Protection*" - This mount is protected by a 2 step process that has been salt spray tested over 1000 hours.
- ◆ **Plus** - *Leveling Shims* provided for extreme leveling conditions.

OPTIONS :

- ◆ **Deck Mount Kit** - Includes: (1) 8 hole base plate, (1) 4 hole top plate, (4) 6" mounting bolts.
- ◆ **Sleeve Over Block** - An adaptive cover block used with 5", 6" and 8" vinyl post sleeves.
- ◆ **42" Adapter Block** - A 6" top block that allows a secure mounting platform for 42" rail heights.



*Top Block Adjusts
Left, Right,
Forward, Backward
To Correctly Plumb
Post Mount.*

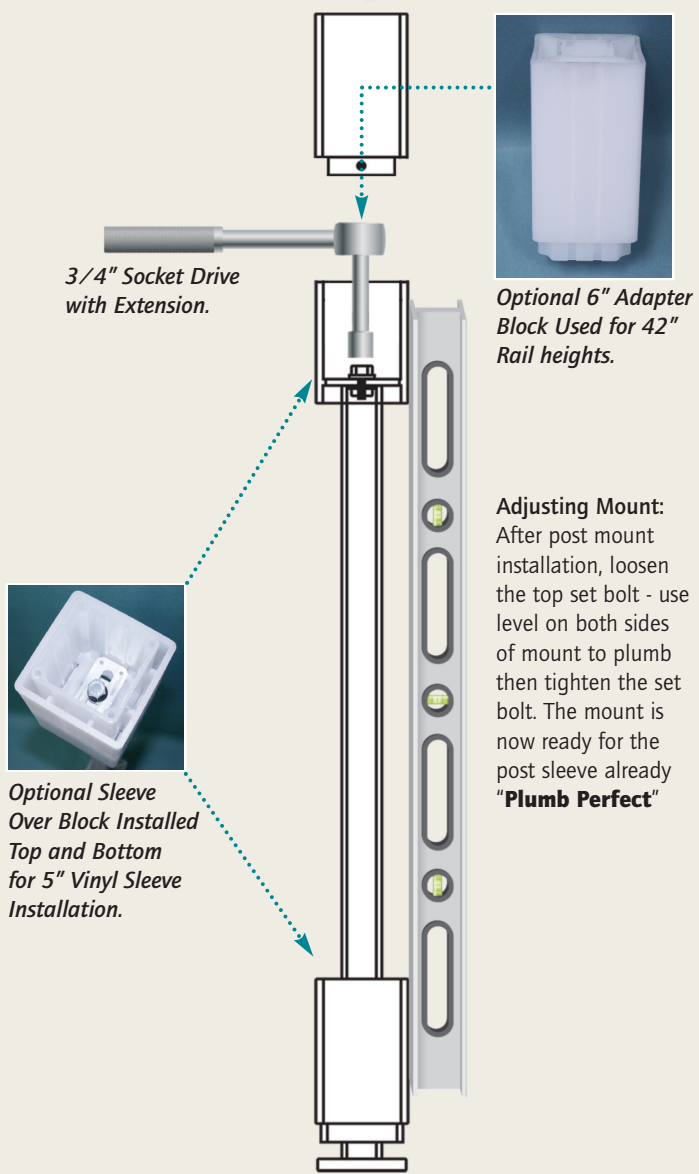


***Patented Design**

PLUMB PERFECT

ADJUSTABLE MOUNT SYSTEMS

INSTALLATION OPTIONS

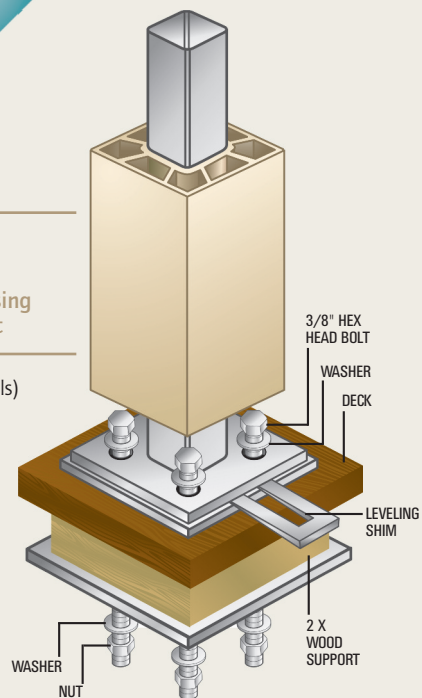


OPTION 1:

Deck Mount Installation

Flange Mounted Using the Deck Mount Kit

(For up to 42" x 8' Rails)

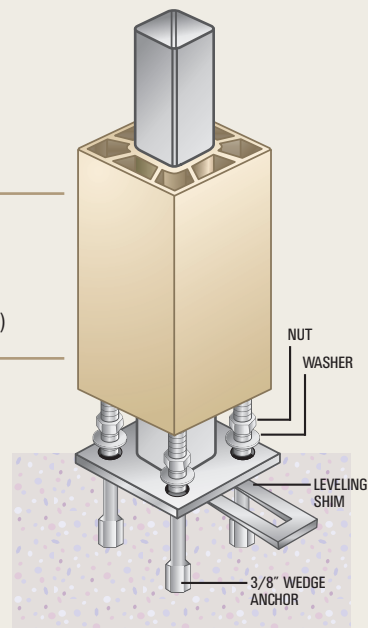


OPTION 2:

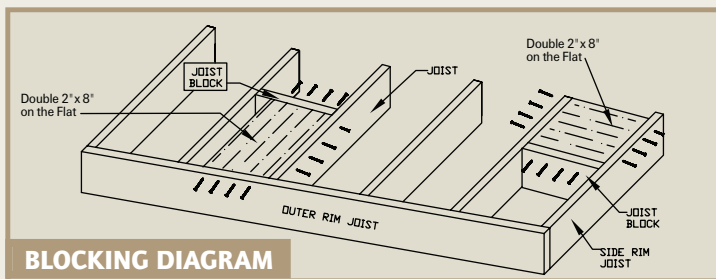
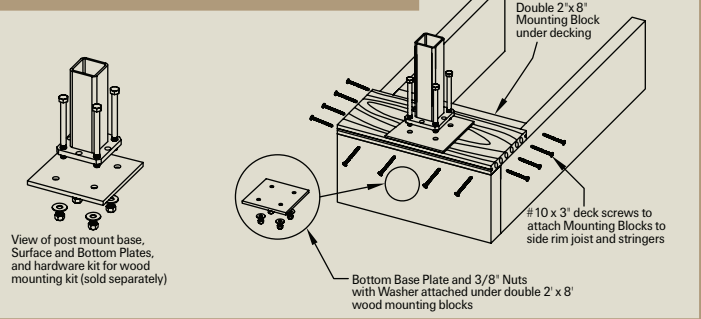
Concrete Mount Application

Flange Mounted

(Hardware not Included)



WOOD STRUCTURE APPLICATION



BLOCKING DIAGRAM

It is the responsibility of the installer to meet all code and safety requirements, and to obtain all required building permits. The deck and railing installer should determine and implement appropriate installation techniques for each installation situation. **The manufacturer or its distributors shall not be held liable for improper or unsafe installations.**

1. Installers must determine the proper mounting hardware and application.